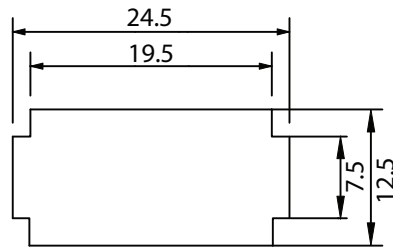
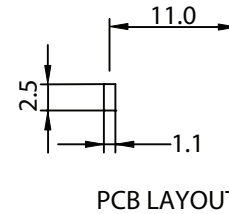
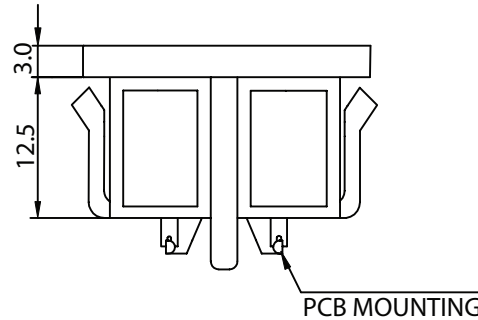
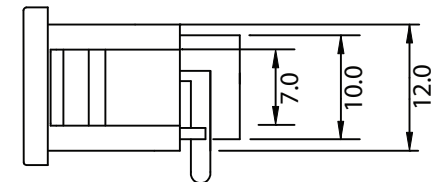
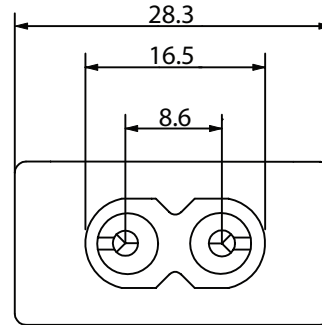


THESE DRAWINGS ARE THE PROPERTY OF QUALTEK ELECTRONICS AND NOT TO BE REPRODUCED FOR OR COMMUNICATED TO A THIRD PARTY WITHOUT THE EXPRESS WRITTEN PERMISSION OF AN OFFICER OF QUALTEK ELECTRONICS.

| REVISION | | | |
|----------|-----------------|----------|----------|
| REV. | DESCRIPTION | DATE | APPROVED |
| B | RoHS Compliancy | 06-01-06 | DP |
| | | | |



PANEL CUTOUT



NOTES:

MATERIAL:

- HOUSING: THERMOPLASTIC
- TERMINAL: COPPER ALLOY
- RATING: 2.5A 250V AC
- INSULATION RESISTANCE: OVER 100 OHM, 500V DC
- DIELECTRIC STRENGTH: 2000V AC ONE MINUTE
- APPROVALS: UL,CSA,VDE
- PANEL THICKNESS: 0.6~1.5
- RoHS COMPLIANT

CONTROLLED

| Dim range (mm) | Tolerance +/- (mm) | Qualtek Electronics Corp. PPC DIVISION | | |
|----------------|--------------------|---|----------------|-----------------|
| | | Part Number: 771W-X2/02 | RoHS Compliant | |
| 0-1 | 0.15 | Description: AC RECEPTACLE | | |
| 1-6 | 0.20 | | UNIT: mm | REV. B |
| 6-18 | 0.30 | | | |
| 18-50 | 0.50 | | | |
| 50-120 | 0.70 | Drawn / Date | Checked / Date | Approved / Date |
| 120-250 | 0.90 | B.Zhang 10-30-03 | 10-30-03 | JJH / 10-30-03 |
| 250-500 | 1.20 | | | |